

BELLOWS

EXPANSION JOINTS
& FLEXIBLE PIPES



KUMSUNG BELLOWS CO.
EXPANSION JOINTS & FLEXIBLE PIPES



HEAD OFFICE AND KOREA PLANT
128, Yo-ri, Hyangnam-Eup, Hwaseong-si
Gyeonggi-do, Korea 18624

TEL : 82-31-353-3682
FAX : 82-31-353-3687
E-mail : sales@ksbellows.co.kr / ksbellow@daum.net
Web-site : www.ksbellows.co.kr

EUROPE OFFICE
U1, Giewont 86/88, 92-116 Lodz, Poland
TEL : 48-42-679-4767
FAX : 48-42-679-2185
E-mail : ribuco@ribuco.pl
Web-Site : www.ribuco.pl

GREETINGS

KUMSUNG BELLOWS Co. has been devoting to be first class manufacturer of auto part using welded thin wall stainless steel pipes and have exported about 70% out of total sales volume to overseas countries.

Especially, our bellows of various types are held in good reputation with the best Quality through TS16949 and passion for new technologies.

Also, managing company by ERP system and to expand our market, we are on the processing branch factory and office in Europe, U.S.A and Asia.

To be the first class cooperation in the world, KUMSUNG Bellows Co has set up it's own company policy which is everlasting research & development and investment for a new Procucl.

HISTORY

- 1996 07 Established KUMSUNG BELLOWS
- 1997 10 Supply first developed no welding type flexible tube for Daewoo Heavy Industry
- 1998 07 Supply flexible tube for Korea Electric Power Corp
- 1999 12 Certificate patent (16 items)
- 2001 09 Certified QS 9000 and ISO 9002
- 2002 04 Certified as Gyeonggi Internet Trader Frontier Business
- 2003 02 Certified as Export-oriented small & medium sized enterprise
- 08 Certified as a promising small and medium enterprise by Gyeonggi Provincial Government
- 2007 02 Certified ISO14001(EMS) and ISO/TS16949
- 2011 02 Certified INNOBIZ Corp.
- 04 Certified as Internet E-Frontier Business Corp.
- 08 Established Plant 2

APPLICATION

Working in exhaust system and absorb vibration and noise caused on thermal expansion.



Engine ManiFold Bellows Converter Muffler Muffler Tip

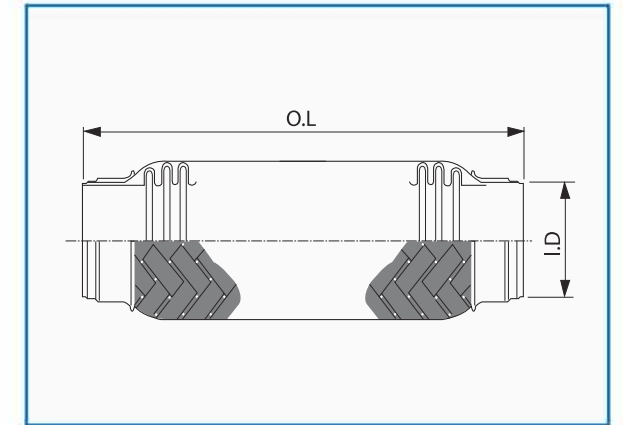
Specifications

- Materials** Stainless Steel 304, 310S, 316, 321, XM15J1, 315SN, ER-1, ER-41 DIN1.4828, INCONEL625
- Thickness** 0.25/0.3/0.4 or 0.5mm, one or two ply or three ply
- Type** R-Bellows, with outer braid, with inner braid, with inter lock, with knitting type, with nipple type
- Size** Ø38 ~ Ø127mm with customized length
- Parts** Braid, Inter-lock hose, Cap

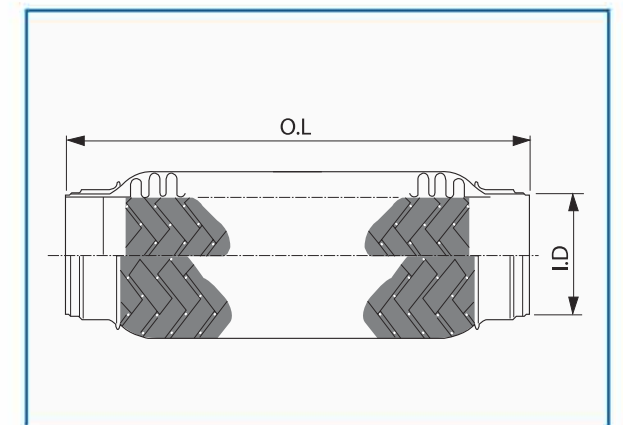
Nomiral Inside Diameter(I.D)	Overall Length (O.L)	Nomiral Inside Diameter(I.D)	Overall Length (O.L)	Nomiral Inside Diameter(I.D)	Overall Length (O.L)
1 1/2"(39.0mm)	4"(102mm)	2 1/4"(57.7mm)	4"(102mm)	43.2mm	4"(102mm)
	6"(152mm)		6"(152mm)		6"(152mm)
	8"(203mm)		8"(203mm)		8"(203mm)
	10"(254mm)		10"(254mm)		10"(254mm)
1 3/4"(45.5mm)	4"(102mm)	2 1/2"(64.0mm)	6"(152mm)	49.5mm	4"(102mm)
	6"(152mm)		8"(203mm)		6"(152mm)
	8"(203mm)		10"(254mm)		8"(203mm)
	9"(230mm)	3"(77.0mm)	6"(152mm)	54.5mm	10"(254mm)
	10"(254mm)		8"(203mm)		4"(102mm)
11"(280mm)		10"(254mm)		6"(152mm)	
2"(51.4mm)	4"(102mm)	4"(101.5mm)	8"(203mm)	61.5mm	8"(203mm)
	6"(152mm)		10"(254mm)		10"(254mm)
	8"(203mm)	Other Sizes are available		71.5mm	4"(102mm)
	10"(254mm)			114mm	6"(152mm)
				127mm	8"(203mm)
					10"(254mm)

Other sizes of ID and OL available by your order.

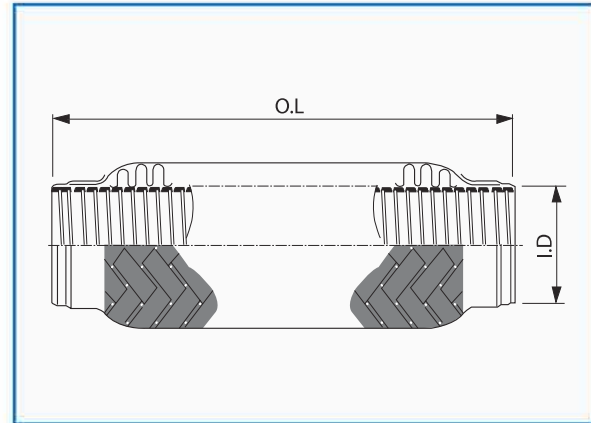
Bellows with outer braid



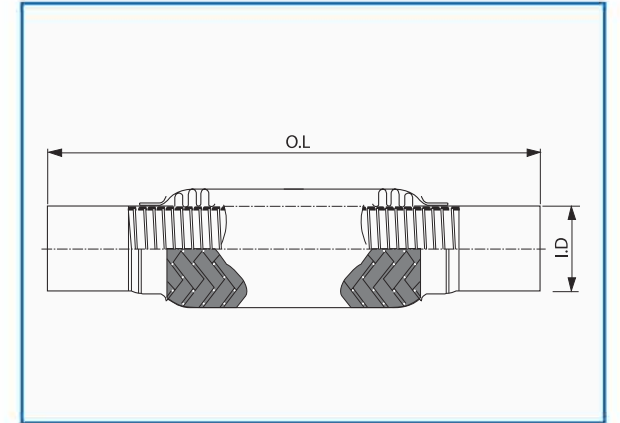
Bellows with inner braid



Bellows with inter-lock

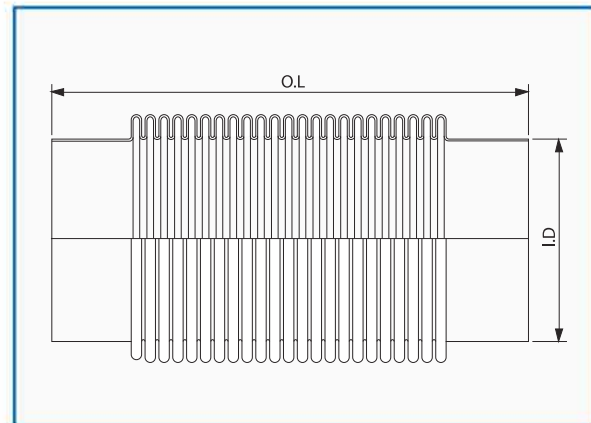


Nipple type bellows

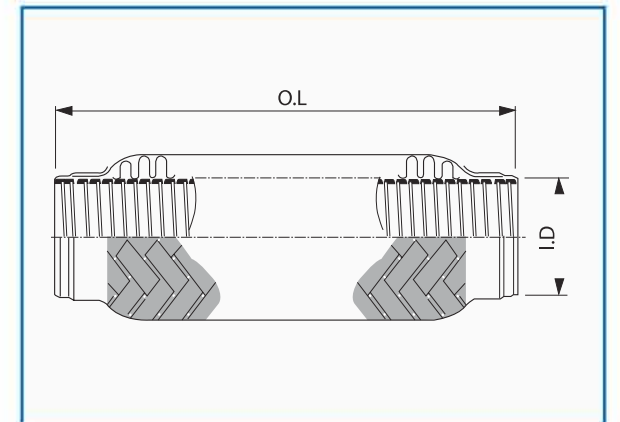


- Materials for Nipple** Stainless steel, Aluminium coated steel
- Thickness of Nipple** 1.2mm or 1.4mm
- Length of Nipple** 50mm,60mm, 70mm or any specification

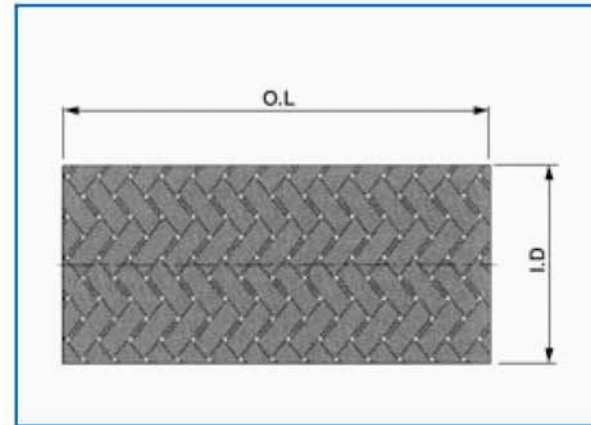
R-bellows



Knitting type

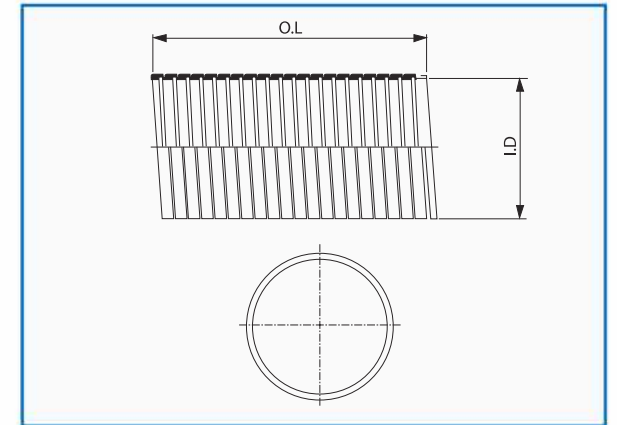


Braid



Materials STAINLESS STEEL
Thickness 0.4mm
Type 36, 48, 64, 96 Liner
Diameter(φ) 40, 45, 50, 55, 60, 65, 70, 80, 90, 100, 125, 150, 200

Inter-lock hose



Materials STAINLESS STEEL 304, 321
Thickness 0.2, 0.25, 0.3mm
Type Angle type
Diameter(φ) length and size also can be changed as per order.

Knitting braid



Materials Stainless steel
Thickness 0.25 ~ 0.35mm

Heavy Truck



Reliability Test

Durability Tester

Spring Rate Tester (Axial)

Spring Rate Tester (Bending & Shear)



Durability Tester

Testing strength of bellows by controlling frequency, stroke, temperature, spraying Salt-water to measure time-cost-effective determination of fatigue of bellows in various environment.

Spring Rate Tester

Testing flexibility (compression and bending) of bellows by controlling frequency, stroke, load and displacement to measure a number of resilient elements by parallel and serial arrangement.

After Installation



KUMSUNG BELLOWS CO. as a manufacturer of flexible pipes, all our executives including me don't forget about the interest and love our customers have rendered us. Consequently, we promise that we will do our utmost in pursuing revolutionary development of products, customer-oriented marketing, prompt technological support and customer satisfaction. Besides, we will practice the management of mutual prosperity and live and let live not neglecting the corporate social responsibility for realizing a better society. As a 21st-century interantional global enterprise, KSB will improve its brand value until it takes a firm hold in the global market as well as domestically. In this regard, we solicit your increased patronage. Thank you.

HEAD OFFICE AND KOREA PLANT

128, Yo-ri, Hyangnam-Eup, Hwaseong-si, Gyeonggi-do, Korea 18624
 TEL : 82-31-353-3682
 FAX : 82-31-353-3687
 E-mail : sales@ksbellows.co.kr / ksbellow@daum.net
 Web-site : www.ksbellows.co.kr

HEAD OFFICE AND KOREA PLANT

U1, Giewont 86/88, 92-116 Lodz, Poland
 TEL : 48-42-679-4767
 FAX : 48-42-679-2185
 E-mail : ribuco@ribuco.pl
 Web -site : www.ribuco.pl